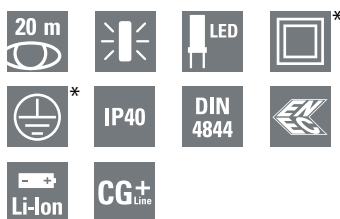


GuideLed 10821, 10822, 10823, 10824 CGLine+

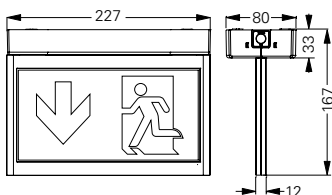
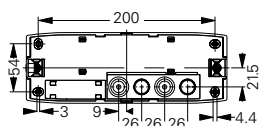
Exit sign luminaire, ceiling mounting



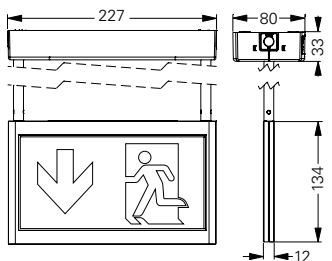
GuideLed 10821, 10822, 10823, 10824 CGLine+

- LED self contained luminaire with automatic test for reduced inspection effort
- Universal use for maintained and non-maintained operation and for 1 h, 3 h or 8 h operation
- For autonomous installation or connection to the CGLine+ monitoring system
- Environmentally-friendly due to modern lithium ion technology
- Low operating costs via low connected load
- Minimum maintenance effort and increased safety via use of LEDs with high service life (up to 50,000 hours)
- Optimal recognition via high luminance of white contrast colour > 500 cd/m² according to DIN 4844-1 / ISO 3864-1 (for bright surroundings), and high uniformity $L_{min}/L_{max} > 0.8$
- Dimmable in three steps for use in dark ambient conditions
- Simple fault analysis and status display via bicolor LED and testing button
- 1 minute switch-back delay after mains return
- Blocking function prevents unintended discharge during idle operating times (only with CGLine+ WEB-Controller)

10821 CGLine+ with LED pictogram PL/PR



10822 CGLine+ with LED pictogram PL/PR



Viewing distance	20 m	
Luminous flux Φ_E/Φ_N at end of rated operating time	one sided	100 % at 1 h; 80 % at 3 h; 25 % at 8 h
	double sided	100 % at 1 h; 50 % at 3 h; 15 % at 8 h
Housing material	Polycarbonate, PMMA, sheet steel (recessed housing)	
Housing colour	Light grey RAL 7035	
Weight	0.70 kg (10821 CGLine+) 0.80 kg (10822 CGLine+) 0.85 kg (10823 CGLine+) 1.06 kg (10824 CGLine+)	
Type of mounting	Ceiling, suspended mounting; insulation class II (protective earth required) recessed ceiling mounting; insulation class I	
Terminals	Through-wiring from mains (L, L', N, PE) to 2.5 mm ² CGLine+ bus through-wiring to 1.5 mm ²	
Connection voltage	220 - 240 V AC, 50/60 Hz	
Power consumption mains operation (apparent power / effective power)	one sided	4.8 VA / 4.1 W
	double sided	5.6 VA / 5.1 W
Permissible ambient temperature	Maintained mode -5 °C to +30 °C Non-maintained mode 0 °C to +35 °C	
Battery	Lithium ion 3.7 V/2000 mAh with multiple protective circuit	
Light source	LED strip	

Ordering details – mounting set (LED pictograms must ordered separate)

Scope of delivery	Order No.
Ceiling mounting set 10821 1-8 h/D CGLine+ with canopy, incl. LED supply and CGLine+ technology, 20 m	40071353264
Ceiling mounting set 10822 1-8 h/D CGLine+ with canopy and 0.5 m pendant tube, incl. LED supply and CGLine+ technology, 20 m	40071353265
Ceiling mounting set 10823 1-8 h/D CGLine+ with canopy and 1.5 m pendant tube, incl. LED supply and CGLine+ technology, 20 m	40071353266
Ceiling mounting set 10824 1-8 h/D CGLine+ incl. ceiling recessing housing (sheet steel) for ceiling thicknesses 1 to 25 mm and ceiling plate, incl. LED supply and CGLine+ technology, 20 m	40071353267

Accessories

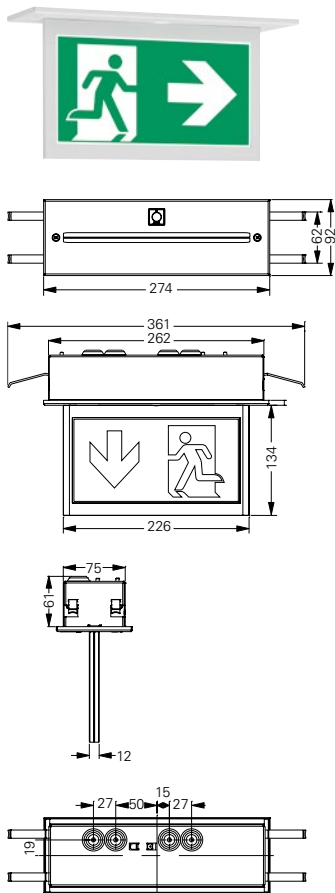
Scope of delivery	Order No.
Add-on housing for GuideLed ceiling surface-mounted 1082x, for expanded accommodation for wiring and cable entry, incl. through-wiring terminal and wiring to luminaire	40071353639
Chain suspension for GuideLed 10821/11821 1-8 h/D CGLine+	40071353624
Recessing housing for concrete for GuideLed 10824 1-8 h/D CGLine+	40071353520

* 10821, -22, -23: Protection class 2
10824: Protection class 1

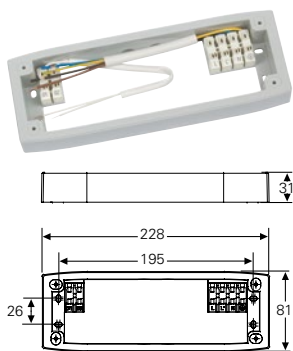
GuideLed 10821, 10822, 10823, 10824 CGLine+

Exit sign luminaire, ceiling mounting

10824 CGLine+ with LED pictogram PL/PR



Add-on housing for expanded accommodation for wiring and cable entry



Ordering details – LED pictograms (fastening set required)

Scope of delivery	Order No.
LED pictogram PL/PR, for GuideLed 10x21/10x22/10x23/10x24, ISO 7010, 20 m	40071354503
LED pictogram PU/PU, for GuideLed 10x21/10x22/10x23/10x24, ISO 7010, 20 m	40071354504
LED pictogram PL/BL, for GuideLed 10x21/10x22/10x23/10x24, ISO 7010, 20 m	40071354505
LED pictogram PR/BL, for GuideLed 10x21/10x22/10x23/10x24, ISO 7010, 20 m	40071354506
LED pictogram PU/BL, for GuideLed 10x21/10x22/10x23/10x24, ISO 7010, 20 m	40071354507
LED pictogram PL/PR-R*, for GuideLed 10x21/10x22/10x23/10x24, ISO 7010, 20 m	40071354508
LED pictogram PL/PR-W*, for GuideLed 10x21/10x22/10x23/10x24, ISO 7010, 20 m	40071354509

* R = arrow direction room
W = arrow direction wall