



GuideLed 10611, 10621, 10625 AT

- LED self contained luminaire with automatic test for reduced inspection effort
- Universal use for maintained and non-maintained operation and for 1 h, 2 h or 3 h operation
- Including pictogram kit (arrow down, left, right) acc. to ISO 7010
- Environmentally-friendly due to modern lithium ion technology
- Low operating costs via low connected load
- Minimum maintenance effort and increased safety via use of 3-chip LEDs with high service life (50,000 hours)
- Optimal recognition via bright pictogram with high uniformity $L_{min}/L_{max} > 0.6$
- Photometric data according to EN 1838 and ISO 30061
- Simple fault analysis and status display via bicolor LED and testing button
- 1 minute switch-back delay after mains return (according to DIN VDE 0100-718)

GuideLed 10611 AT



GuideLed 10621 AT



GuideLed 10625 AT

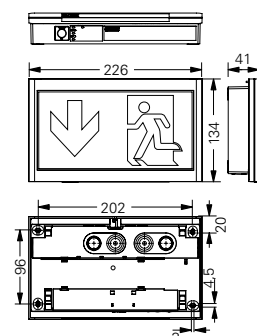


Viewing distance	20 m
Luminous flux Φ_e / Φ_{nom} at end of rated operating time	80 % at 1 h; 80 % at 2 h; 75 % at 3 h
Housing material	Polycarbonate
Weight	0.64 kg (10611 AT) 0.70 kg (10621 AT) 0.71 kg (10625 AT)
Housing colour	Light grey RAL 7035
Type of mounting	Insulation class II (protective earth required)
Terminals	Through-wiring from mains (L, L', N, PE) to 2.5 mm ²
Connection voltage	220- 240 V, 50 Hz
Power consumption mains operation (apparent power/effective power)	3.8 VA / 3.3 W 10611 4.0 VA / 3.6 W 10621/10625
Permissible ambient temperature	Maintained mode -5 °C to +30 °C Non-maintained mode 0 °C to +35 °C
Battery	Lithium ion 3.7 V/2000 mAh with multiple protective circuit
Light source	LED strip with 3-chip LEDs

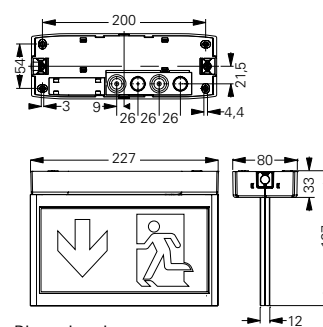
Ordering details

Type	Scope of supply	Order No
GuideLed 10611 AT	GuideLed 10611 1-3h/D AT-Set-e for wall mounting, including LED-supply and pictogram kit (LED pictogram + ISO arrow down, left, right), 20 m	40071353575
GuideLed 10621 AT	GuideLed 10621 1-3h/D AT-Set-e for ceiling mounting, including LED-supply and pictogram kit (LED pictogram + ISO arrow down, left, right + blind), 20 m	40071353576
GuideLed 10625 AT	GuideLed 10625 1-3h/D AT-Set-e for rope suspension, including LED-supply and pictogram kit (LED pictogram + ISO arrow down, left, right + blind), 20 m	40071353577

GuideLed 10611 AT



GuideLed 10621 AT



Dimensions in mm

GuideLed 10625 AT

