



- Suitable for both solid and exposed grid ceilings as the gear pod fits through the head unit installation aperture
- Adapter plate for retrofit and shallow ceiling applications
- Up to 50,000 hour life LED for reduced maintenance
- Low power consumption reducing cost of ownership
- Environmentally friendly NiMH battery

**Light Source:**

1 x 3W LED

Halo-Pack 2 combines the latest in LED technology with an ultra-low profile, providing emergency lighting where aesthetics and reliability are of prime importance. Installation into an existing ceiling is fast and simple to complete.

**Materials:**

Luminaire head, remote gear and adaptor plate - polycarbonate and ABS blend

Battery - NiMH

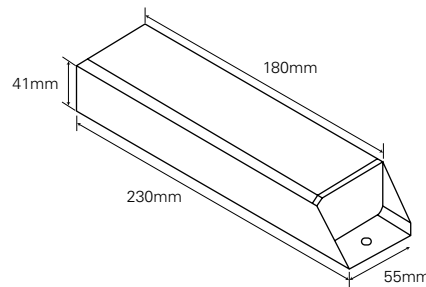
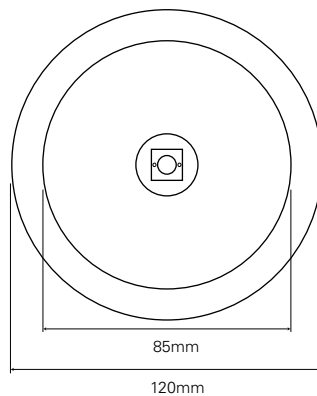
**Installation:**

Flush mounting

Spring retaining clips for surface installation (install from below ceiling)

Plug and play socket for mains supply

No disassembly required during installation



**Operation:**

Non-Maintained operation

**Applications:**

All recessed indoor applications



For retrofit and/or shallow ceiling applications an optional adapter plate is provided as standard

Model	Height (m)	Lux level directly under		Escape route 2m wide, 1 Lux min		Open (anti-panic) area 0.5 Lux min				
		03.20	08.70	03.20	08.70	03.60	09.70	03.60	09.00	07.00
HPLED3H	02.50	03.20	08.70	03.20	08.70	03.60	09.70	03.60	09.00	07.00
	02.80	03.30	09.00	03.30	09.00	03.70	10.00	03.70	10.00	00.00
	03.00	03.30	09.10	03.30	09.10	03.80	10.20	03.80	10.00	20.00
	04.00	03.10	09.30	03.10	09.30	03.90	11.30	03.90	11.00	30.00
	05.00	01.09	08.50	01.00	08.50	03.60	12.50	03.60	12.00	50.00

HPLED3H	Halo Pack 2	4 W	170 Lm	3h	6x1.5Ah AA NiMH	Non-Maintained
---------	-------------	-----	--------	----	-----------------	----------------