

# GuideLed SL 13011.1, 13021.1 CG-S

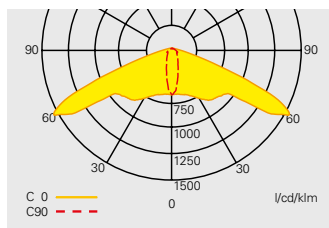
Recessed mounting



## GuideLed SL 13011.1, 13021.1 CG-S

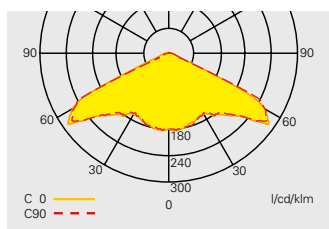
- Safety luminaire with LED technology for recessed mounting
- Unobtrusive, discrete appearance with round design and low installation depth of only 40 mm
- Conversion to square design with optional bezel to fit to the ceiling plan if necessary
- Special LED optics ensure especially efficient escape route illumination or uniform anti-panic illumination
- High Spacing by exact light direction and highly-efficient HighPowerLEDs
- Up to 27 m from luminaire to luminaire with optics for escape route illumination
- Up to 12 m from luminaire to luminaire with optics for antipanic illumination
- Minimum service requirement due to high service life of the LEDs (up to 50,000 hours)

GuideLed SL 13011.1 CG-S



Light distribution curve  
GuideLed SL 13011.1 CG-S recessed  
with asymmetric optics

GuideLed SL 13021.1 CG-S



Light distribution curve  
GuideLed SL 13021.1 CG-S recessed  
with symmetric optics

Square bezel for  
GuideLed SL 130x1.1 CG-S

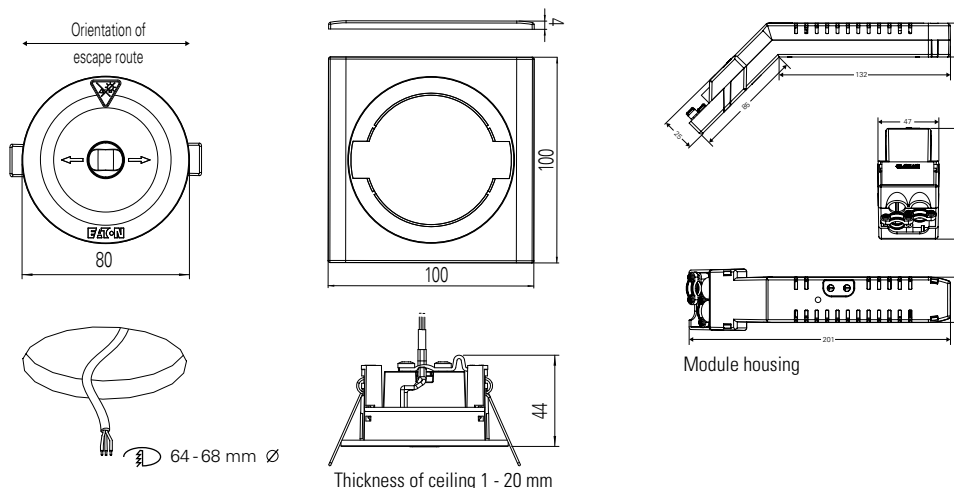


Luminous flux $\Phi_N$	Asymmetric optics 250 lm Symmetric optics 250 lm
Luminous flux $\Phi_E/\Phi_N$ at end of rated operating timer	100%
Housing material	PC, aluminium
Housing colour	White RAL 9016
Weight	0.25 kg
Type of mounting	Recessed mounting
Terminals	Clamp terminal 2 x 3 x 2.5 mm <sup>2</sup>
Connection voltage	220- 240 V AC, 50/60 Hz 176- 275 V DC
Current consumption- battery operation (220 V)	20 mA
Power consumption mains operation (apparent power/effective power)	8.0 VA / 3.9W
Permissible ambient temperature	-20°C bis +40°C
Light source	HighPower LED 1 x 2 W

## Ordering details

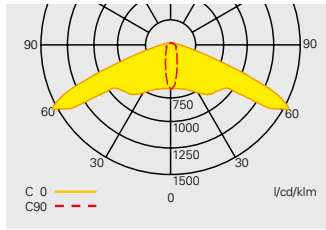
Scope of supply	Order No.
GuideLed SL 13011.1 CG-S, recessed mounting with asymmetric optics for escape route illumination, LED supply and CG-S technology (20 addresses) in housing* with strain relief	40071354480
GuideLed SL 13021.1 CG-S, recessed mounting with symmetric optics for anti-panic or open space illumination, LED supply and CG-S technology (20 addresses) in housing* with strain relief	40071354481
Square bezel GuideLed SL 130x1.1 CG-S	40071354488
Plastic enclosure for installation in concrete (suitable from 160 mm ceiling depth), for GuideLed SL 130x1.1 CG-S	40071353169

Dimensions in mm



\* Degree of protection of the luminaire: IP41  
Degree of protection of module enclosure: IP20

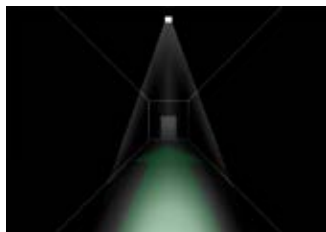
# GuideLed SL CG-S



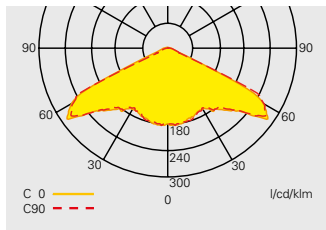
## Planning assistance for GuideLed SL CG-S with asymmetric optics for E = 1.0 lx (0.5 lx)

Measuring height 0.02 m, maintenance factor MF = 80 %, battery operation

Mounting height [m]	Type of mounting	L1	L2	L3	L4
2.5	Ceiling mounting	2.3 (3.4)	6.8 (8.3)	6.4 ( 7.1)	14.1 (15.6)
3.0	Escape route	2.3 (3.2)	6.4 (9.2)	7.3 ( 8.1)	16.1 (17.8)
3.5	centre	2.3 (3.2)	6.5 (9.7)	8.1 ( 9.0)	17.9 (19.9)
4.0		2.3 (3.3)	6.5 (9.4)	8.8 ( 9.9)	19.7 (21.9)
4.5		2.3 (3.3)	6.6 (9.1)	9.5 (10.7)	21.4 (23.7)
5.0		2.2 (3.3)	6.6 (9.2)	10.0 (11.5)	23.0 (25.6)
5.5		2.1 (3.3)	6.6 (9.2)	10.4 (12.2)	24.4 (27.4)
6.0		2.0 (3.3)	6.5 (9.3)	10.7 (12.9)	25.8 (29.1)
6.5		1.9 (3.2)	6.4 (9.4)	7.9 (13.5)	27.0 (30.8)
7.0		1.8 (3.1)	6.2 (9.4)	7.6 (14.0)	26.0 (32.3)
7.5		1.7 (3.1)	6.1 (9.3)	7.3 (14.5)	25.9 (33.7)
8.0		1.6 (2.9)	5.8 (9.3)	7.0 (14.8)	26.2 (35.2)
8.5		1.4 (2.8)	5.7 (9.3)	6.7 (15.1)	26.4 (36.6)
9.0		1.2 (2.8)	5.5 (9.1)	6.1 (14.9)	26.1 (37.8)
9.5		1.0 (2.7)	5.3 (9.0)	4.7 (10.9)	21.9 (37.6)
10.0		0.6 (2.5)	5.0 (8.8)	2.5 (10.7)	21.4 (36.7)



Escape route illumination with asymmetric optics



## Planning assistance for GuideLed SL CG-S with symmetric optics for E = 1.0 lx (0.5 lx)

Measuring height 0.02 m, maintenance factor MF = 80 %, battery operation

Mounting height [m]	Type of mounting	L1	L2	L3	L4
2.5	Ceiling mounting	4.4 (5.0)	9.9 (10.4)	4.4 (4.9)	9.8 (10.4)
3.0	Escape route	4.6 (5.9)	11.2 (12.3)	4.6 (5.7)	11.2 (12.1)
3.5	centre	4.5 (6.2)	12.3 (14.0)	4.6 (6.2)	12.3 (13.8)
4.0		3.5 (6.4)	12.5 (15.2)	3.8 (6.4)	12.5 (15.2)
4.5		2.9 (6.6)	13.0 (16.4)	3.2 (6.6)	12.7 (16.4)
5.0		2.4 (6.2)	12.3 (17.4)	2.4 (6.4)	12.4 (17.4)
5.5		1.9 (5.3)	10.6 (17.5)	1.8 (5.5)	11.0 (17.6)
6.0		0.7 (4.7)	9.4 (17.8)	0.9 (4.8)	9.6 (17.9)
2.5	Ceiling mounting	4.3 (4.4)	9.8 (10.3)	4.1 (4.3)	9.5 (10.3)
3.0	Room illumination	4.4 (5.2)	11.1 (12.0)	4.6 (5.2)	11.0 (11.9)
3.5		4.7 (5.6)	12.2 (13.6)	5.0 (5.8)	12.2 (13.5)
4.0		2.9 (5.9)	12.1 (15.0)	2.9 (6.3)	12.4 (15.0)
4.5		2.7 (6.2)	12.6 (16.3)	2.5 (6.5)	12.5 (16.3)
5.0		1.0 (6.4)	12.2 (17.2)	0.5 (6.8)	12.5 (17.4)
5.5		0.5 (4.3)	11.8 (17.2)	0.7 (4.5)	11.5 (17.6)
6.0		1.0 (3.5)	11.7 (17.4)	0.7 (3.7)	11.4 (17.5)
6.5		0.5 (2.8)	12.2 (17.8)	0.5 (1.1)	11.6 (18.0)
7.0		0.5 (1.1)	12.1 (17.3)	0.5 (0.7)	11.2 (17.8)
7.5		0.5 (0.5)	11.8 (14.5)	0.5 (2.9)	11.2 (20.5)
8.0		0.5 (2.4)	11.0 (20.3)	0.5 (0.5)	10.9 (14.8)
8.5		0.7 (0.8)	9.4 (21.7)	0.7 (0.7)	9.3 (13.7)
9.0		0.6 (0.5)	8.4 (17.8)	0.6 (0.5)	8.3 (16.5)



Escape route illumination with symmetric optics



Room illumination with symmetric optics